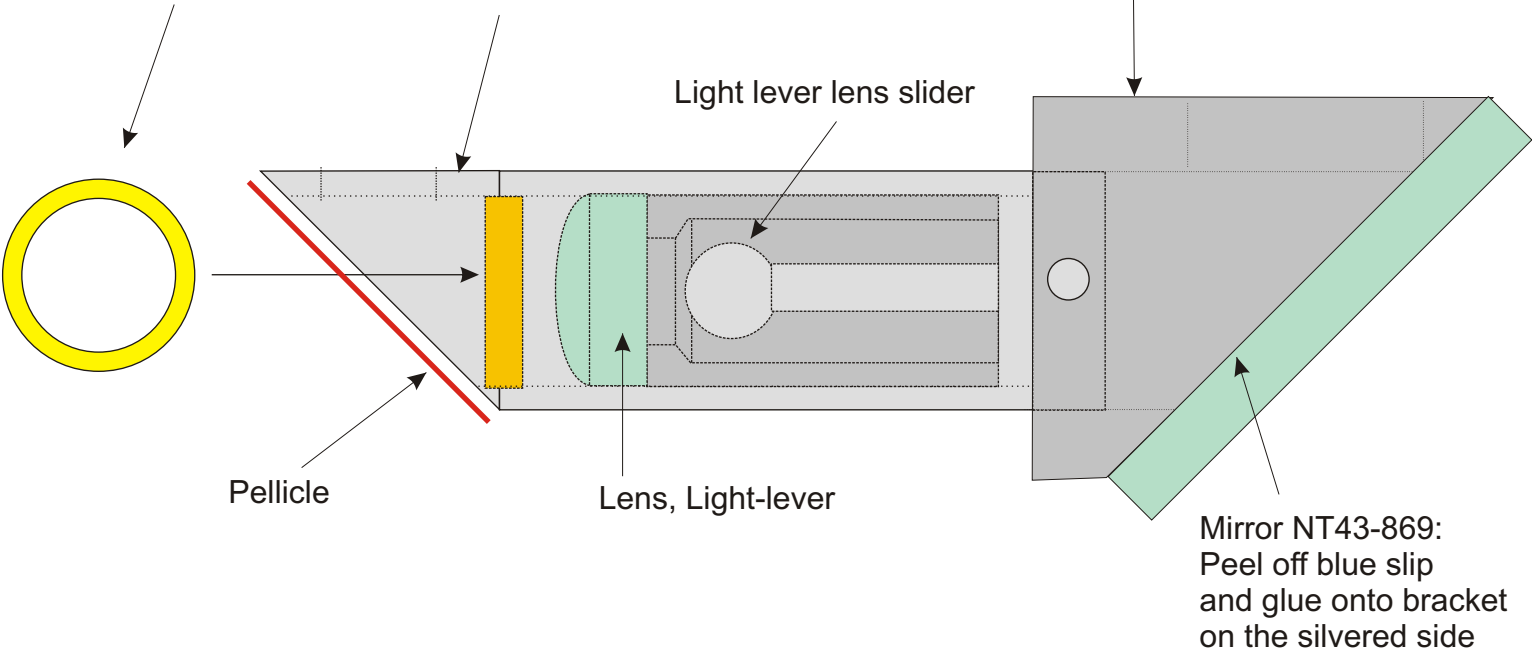


Position Detector Lower Periscope Assembly Drawing

The ring is for the purpose of stopping the lens from pushing through the pellicle



Adam Karcz
July 17, 2008