



GLOBAL USE - TERMINAL CONNECTION L.V. RECTIFIER USE TRANSFORMERS

- Dual primary 115/230 VAC
- 50/60 Hz. operation
- Dual secondaries for series or parallel connections
- 4,000 V RMS Hi-Pot test
- Chassis mount
- 5 different VA sizes to choose from
- Dual bobbin construction
- Dual use terminals (solder lug or quick connect)
- UL recognized to UL 506
- CSA certified to C22.2 #66
- CE certified to IEC 950

Transformer Schematic

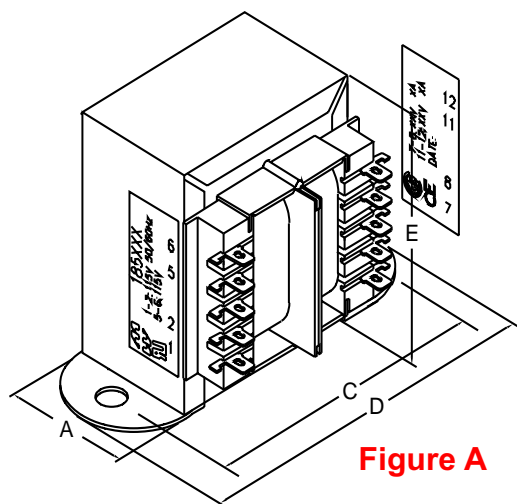
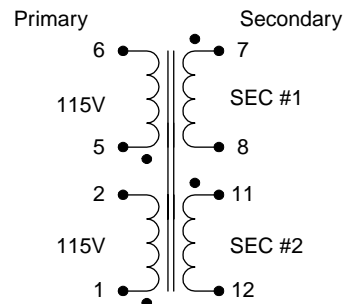


Figure A

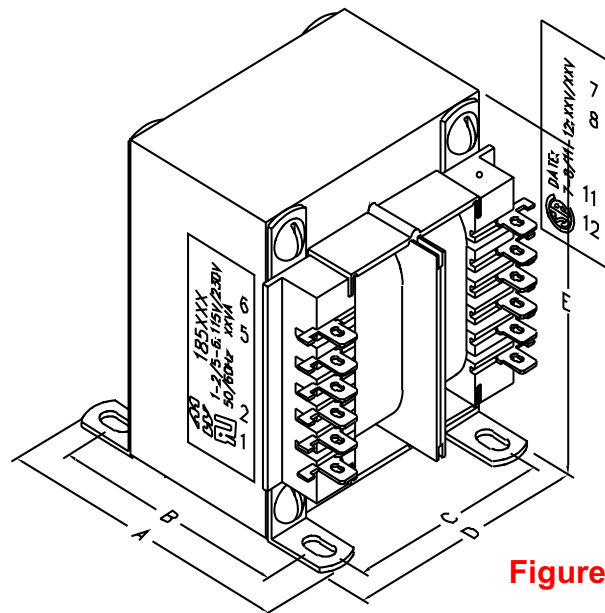


Figure B

Selection Table

Primary 115/230 VAC 50/60 Hz.

| Cat. No. | VA | Secondary VAC (RMS) | | Dimensions (Inches) | | | Fig. | Hole to Hole Mtg. Dim. (Inches) | |
|----------------|-----|---------------------|--------------|---------------------|------|------|------|---------------------------------|------|
| | | Series | Parallel | D | A | E | | C | B |
| | | | | | | | | | |
| 185C10 | 25 | 10VCT @ 2.5A | 5V @ 5.0A | 2.81 | 1.87 | 2.31 | A | 2.37 | - |
| 185D10 | 43 | 10VCT @ 4.3A | 5V @ 8.6A | 3.12 | 2.06 | 2.68 | A | 2.81 | - |
| 185E10 | 80 | 10VCT @ 8.0A | 5V @ 16.0A | 2.5 | 2.37 | 3 | B | 2 | 2.18 |
| 185F10 | 130 | 10VCT @ 13.0A | 5V @ 26.0A | 2.81 | 2.87 | 3.37 | B | 2.25 | 2.5 |
| 185G10 | 175 | 10VCT @ 17.5A | 5V @ 35.0A | 3.12 | 2.87 | 3.75 | B | 2.5 | 2.5 |
| 185C12 | 25 | 12.6VCT @ 2.0A | 6.3V @ 4.0A | 2.81 | 1.87 | 2.31 | A | 2.37 | - |
| 185D12 | 43 | 12.6VCT @ 3.4A | 6.3V @ 6.8A | 3.12 | 2.06 | 2.68 | A | 2.81 | - |
| 185E12 | 80 | 12.6VCT @ 6.3A | 6.3V @ 12.6A | 2.5 | 2.37 | 3 | B | 2 | 2.18 |
| 185F12 | 130 | 12.6VCT @ 10.3A | 6.3V @ 20.6A | 2.81 | 2.87 | 3.37 | B | 2.25 | 2.5 |
| 185G12 | 175 | 12.6VCT @ 14.0A | 6.3V @ 28.0A | 3.12 | 2.87 | 3.75 | B | 2.5 | 2.5 |
| 185C16 | 25 | 16VCT @ 1.6A | 8V @ 3.2A | 2.81 | 1.87 | 2.31 | A | 2.37 | - |
| 185D16 | 43 | 16VCT @ 2.7A | 8V @ 5.4A | 3.12 | 2.06 | 2.68 | A | 2.81 | - |
| 185E16 | 80 | 16VCT @ 5.0A | 8V @ 10.0A | 2.5 | 2.37 | 3 | B | 2 | 2.18 |
| 185F16 | 130 | 16VCT @ 8.1A | 8V @ 16.2A | 2.81 | 2.87 | 3.37 | B | 2.25 | 2.5 |
| 185G16 | 175 | 16VCT @ 11.0A | 8V @ 22.0A | 3.12 | 2.87 | 3.75 | B | 2.5 | 2.5 |
| 185C20 | 25 | 20VCT @ 1.25A | 10V @ 2.5A | 2.81 | 1.87 | 2.31 | A | 2.37 | - |
| 185D20 | 43 | 20VCT @ 2.2A | 10V @ 4.4A | 3.12 | 2.06 | 2.68 | A | 2.81 | - |
| 185E20 | 80 | 20VCT @ 4.0A | 10V @ 8.0A | 2.5 | 2.37 | 3 | B | 2 | 2.18 |
| 185F20 | 130 | 20VCT @ 6.5A | 10V @ 13.0A | 2.81 | 2.87 | 3.37 | B | 2.25 | 2.5 |
| 185G20 | 175 | 20VCT @ 8.8A | 10V @ 17.6A | 3.12 | 2.87 | 3.75 | B | 2.5 | 2.5 |
| 185C24 | 25 | 24VCT @ 1.0A | 12V @ 2.0A | 2.81 | 1.87 | 2.31 | A | 2.37 | - |
| 185D24 | 43 | 24VCT @ 1.8A | 12V @ 3.6A | 3.12 | 2.06 | 2.68 | A | 2.81 | - |
| 185E24 | 80 | 24VCT @ 3.3A | 12V @ 6.6A | 2.5 | 2.37 | 3 | B | 2 | 2.18 |
| 185F24 | 130 | 24VCT @ 5.4A | 12V @ 10.8A | 2.81 | 2.87 | 3.37 | B | 2.25 | 2.5 |
| 185G24 | 175 | 24VCT @ 7.3A | 12V @ 14.6A | 3.12 | 2.87 | 3.75 | B | 2.5 | 2.5 |
| 185C28 | 25 | 28VCT @ 0.9A | 14V @ 1.86A | 2.81 | 1.87 | 2.31 | A | 2.37 | - |
| 185D28 | 43 | 28VCT @ 1.5A | 14V @ 3.0A | 3.12 | 2.06 | 2.68 | A | 2.81 | - |
| 185E28 | 80 | 28VCT @ 2.8A | 14V @ 5.6A | 2.5 | 2.37 | 3 | B | 2 | 2.18 |
| 185F28 | 130 | 28VCT @ 4.6A | 14V @ 9.2A | 2.81 | 2.87 | 3.37 | B | 2.25 | 2.5 |
| 185G28 | 175 | 28VCT @ 6.25A | 14V @ 12.5A | 3.12 | 2.87 | 3.75 | B | 2.5 | 2.5 |
| 185C36 | 25 | 36VCT @ 0.7A | 18V @ 1.4A | 2.81 | 1.87 | 2.31 | A | 2.37 | - |
| 185D36 | 43 | 36VCT @ 1.2A | 18V @ 2.4A | 3.12 | 2.06 | 2.68 | A | 2.81 | - |
| 185E36 | 80 | 36VCT @ 2.2A | 18V @ 4.4A | 2.5 | 2.37 | 3 | B | 2 | 2.18 |
| 185F36 | 130 | 36VCT @ 3.6A | 18V @ 7.2A | 2.81 | 2.87 | 3.37 | B | 2.25 | 2.5 |
| 185G36 | 175 | 36VCT @ 4.8A | 18V @ 9.6A | 3.12 | 2.87 | 3.75 | B | 2.5 | 2.5 |
| 185C230 | 25 | 230VCT @ 0.11A | 115V @ 0.22A | 2.81 | 1.87 | 2.31 | A | 2.37 | - |
| 185D230 | 43 | 230VCT @ 0.19A | 115V @ 0.38A | 3.12 | 2.06 | 2.68 | A | 2.81 | - |
| 185E230 | 80 | 230VCT @ 0.35A | 115V @ 0.7A | 2.5 | 2.37 | 3 | B | 2 | 2.18 |
| 185F230 | 130 | 230VCT @ 0.57A | 115V @ 1.14A | 2.81 | 2.87 | 3.37 | B | 2.25 | 2.5 |
| 185G230 | 175 | 230VCT @ 0.76A | 115V @ 1.52A | 3.12 | 2.87 | 3.75 | B | 2.5 | 2.5 |



CANADA

Phone: (519) 822-2960 Fax: (519) 822-0715

USA

Phone: (716) 651-0086 Fax: (716) 651-0726



© 2000



www.hammondmfg.com