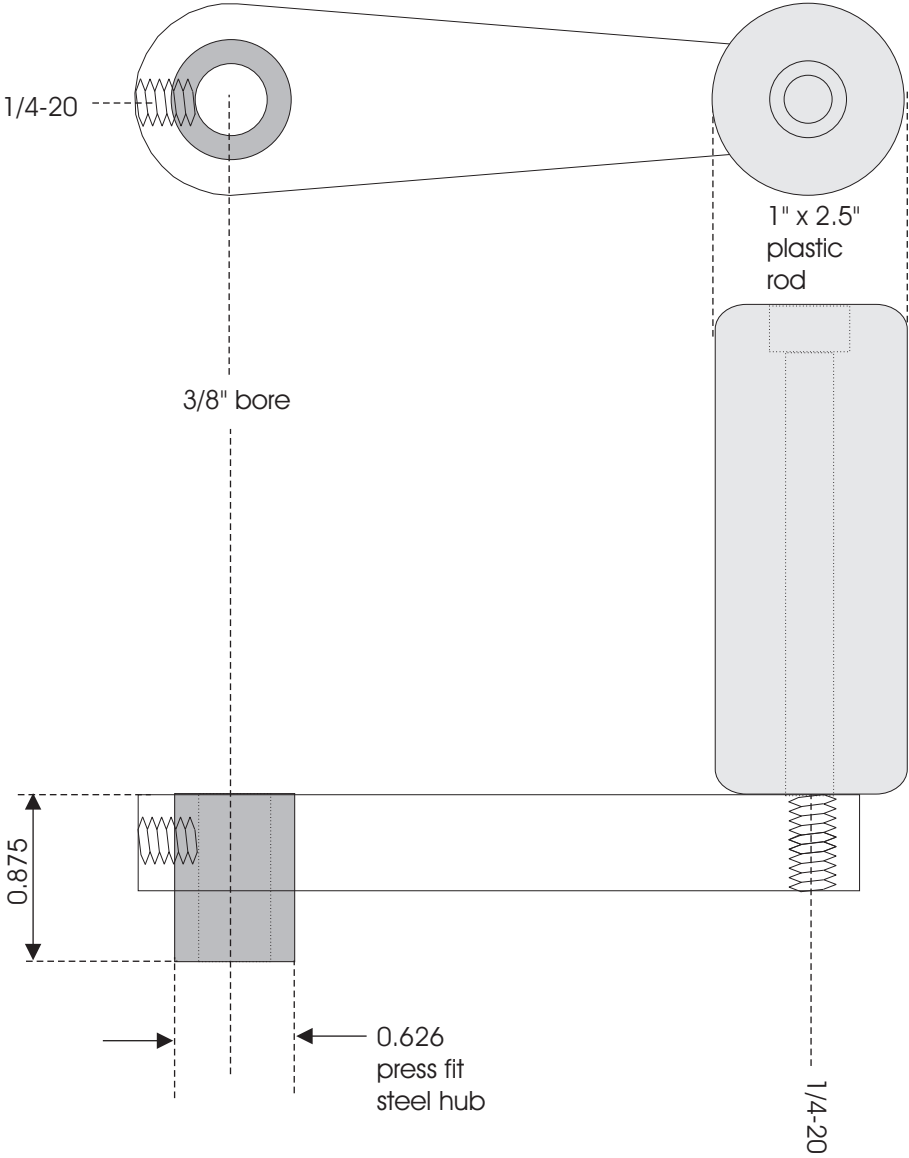


Handle for mini-winch

material: aluminum alloy



Steve Smith
Bustamante Group
phone 510-666-2761
steve@alice.berkeley.edu

note : similar handle costs ~\$20 from
McMaster Carr part# 6473K76