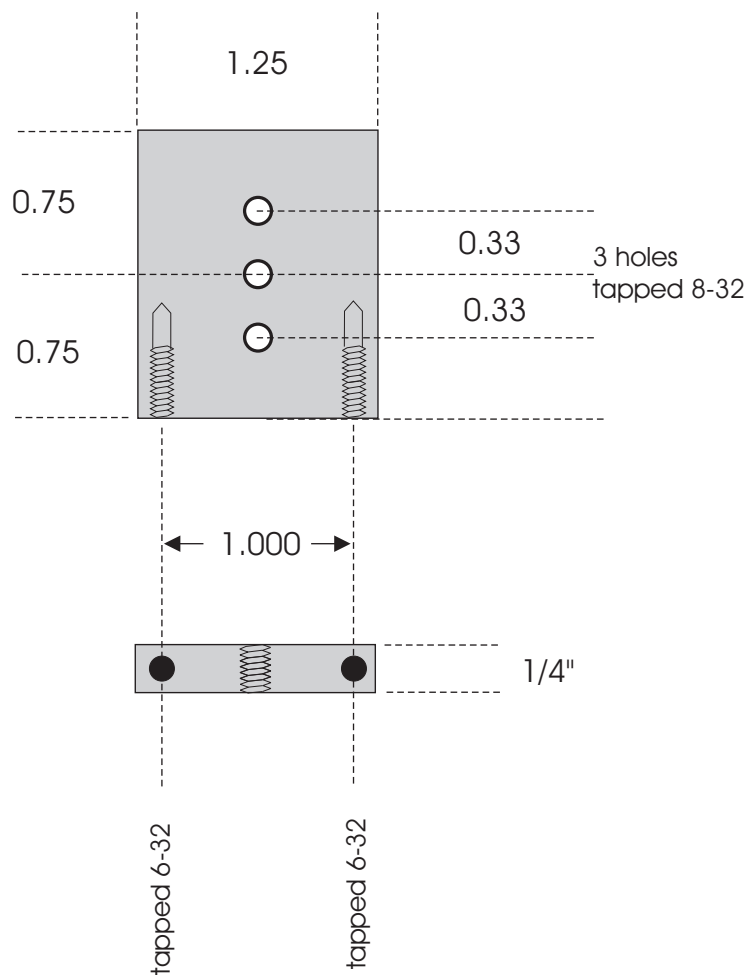


DL-2 Base rev. 2

material: aluminum alloy

quantity 2 each



Steve Smith
Bustamante Group
phone 642-7127
steve@alice.berkeley.edu