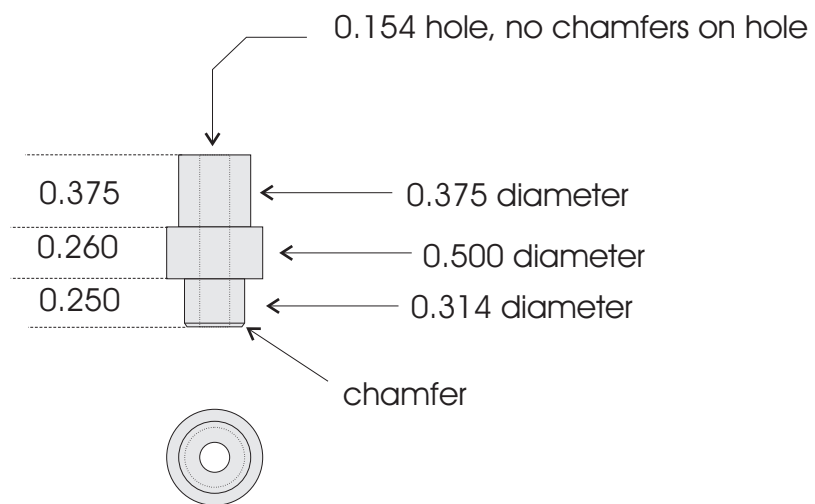


Piezo Tube Bushing rev. 2

material: aluminum alloy

quantity 2 each



Steve Smith
Bustamante Group
phone 666-2761
steve@alice.berkeley.edu