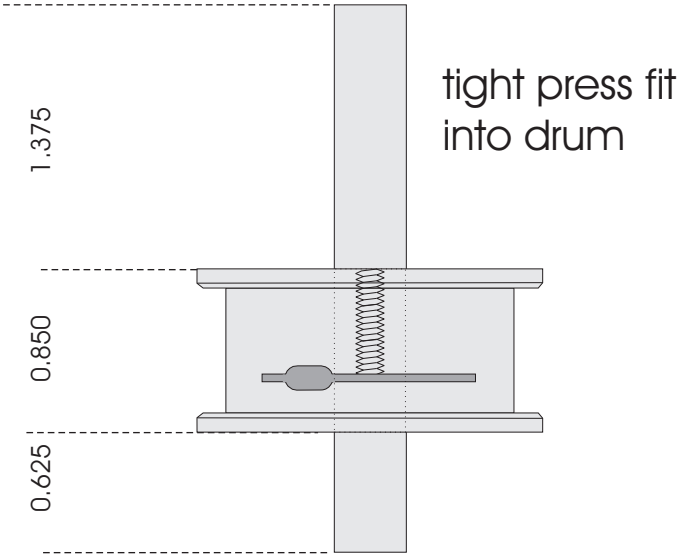
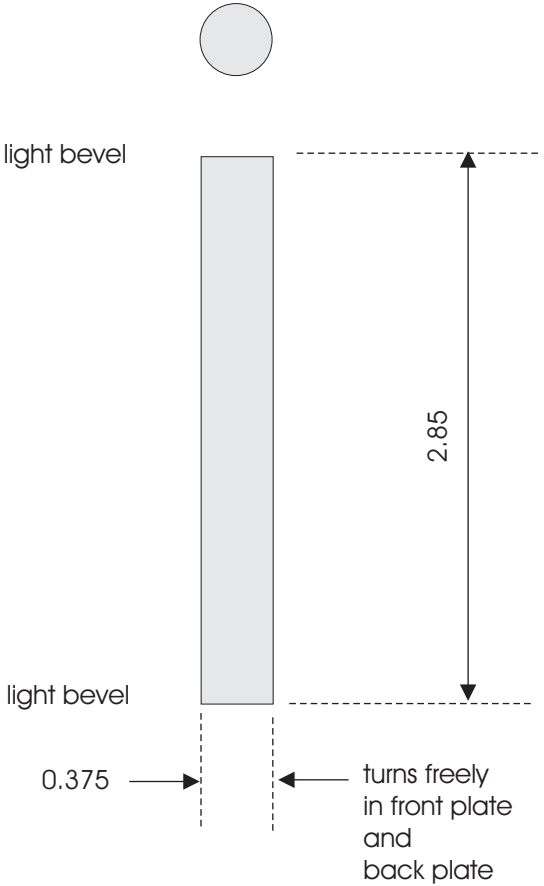


# Shaft for mini-winch

material: cold-drawn steel rod



Steve Smith  
Bustamante Group  
phone 510-666-2761  
steve@alice.berkeley.edu