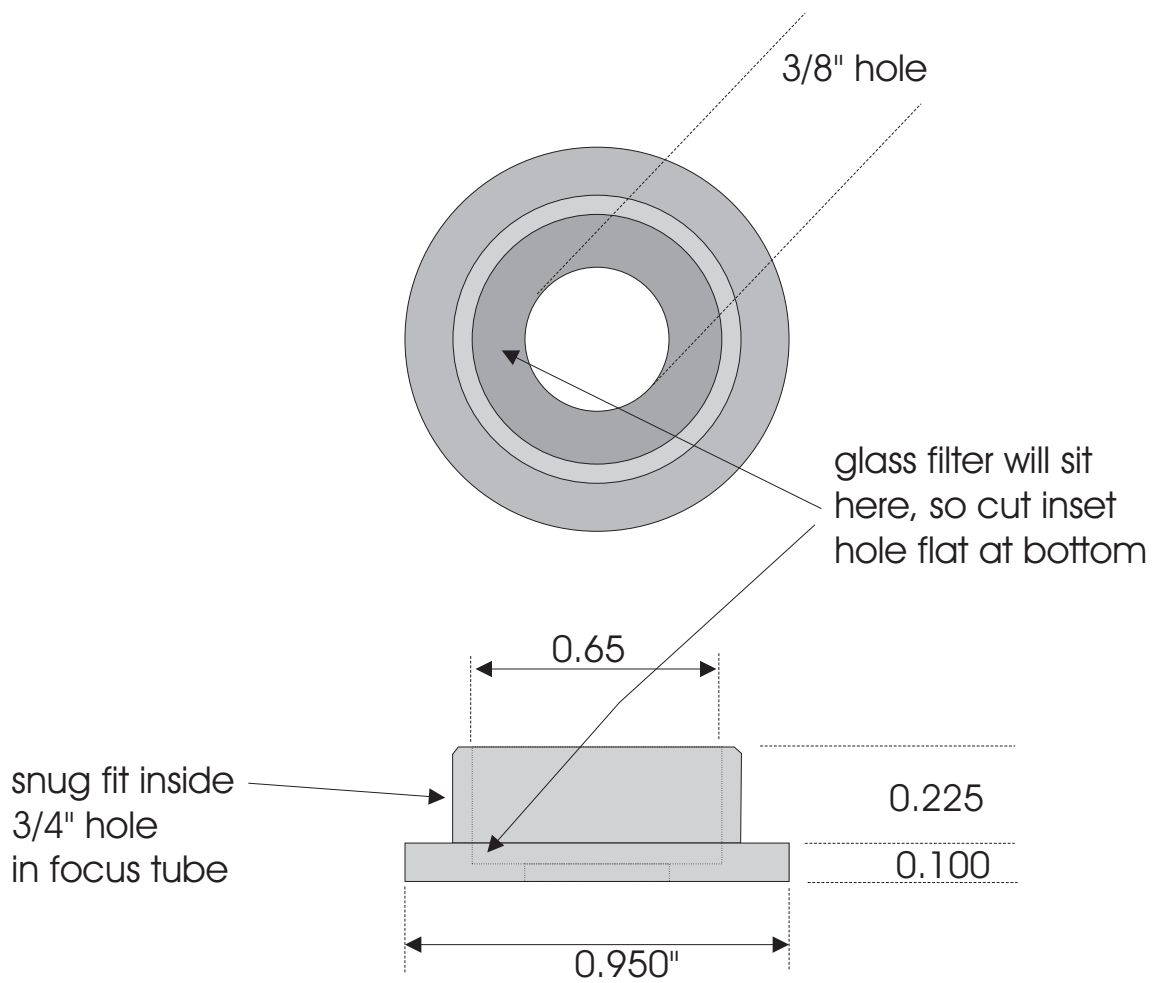


Focus-tube End Cap  
material: black delrin  
quantity 1 each



Steve Smith  
666-2761  
steve@alice.berkeley.edu