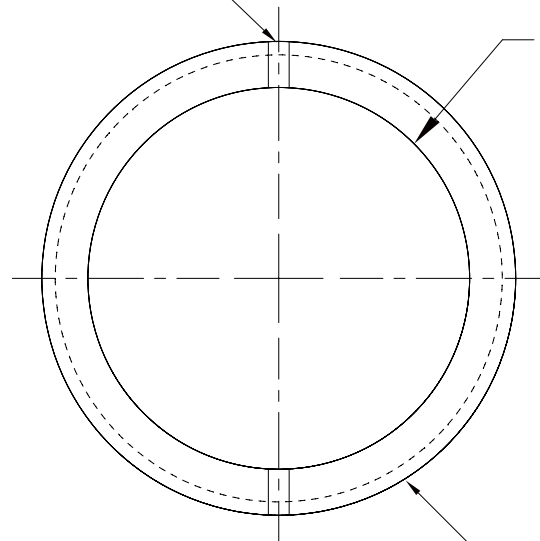


SLOT FOR SPANNER WRENCH



ø0.430 (11mm) THRU

0.535-40 THREAD

| | | | | |
|--------------------------------------------------|--------------------|----------------|-------------------------------------------------|-----------------|
| THORLABS <small>INC</small> | | | PO BOX 366 NEWTON NJ | |
| TITLE RETAINING RING | | | | |
| TOL: X.XXX=+/-0.005 X.XX=+/-0.010 ANGULAR +/-30° | | | | |
| MATERIAL BLACK ANODIZED AL. | | | WHERE USED ENGINEERING SUPPORT DRAWING | |
| DRAWN EB | ENGR. AC | APPROVED AC | | |
| DATE 02/14/97 | REV A | SIZE A | | SHEET 1 OF 1 |
| DWG NO. 0508-E01 | PART NO. SM05RR | | | |