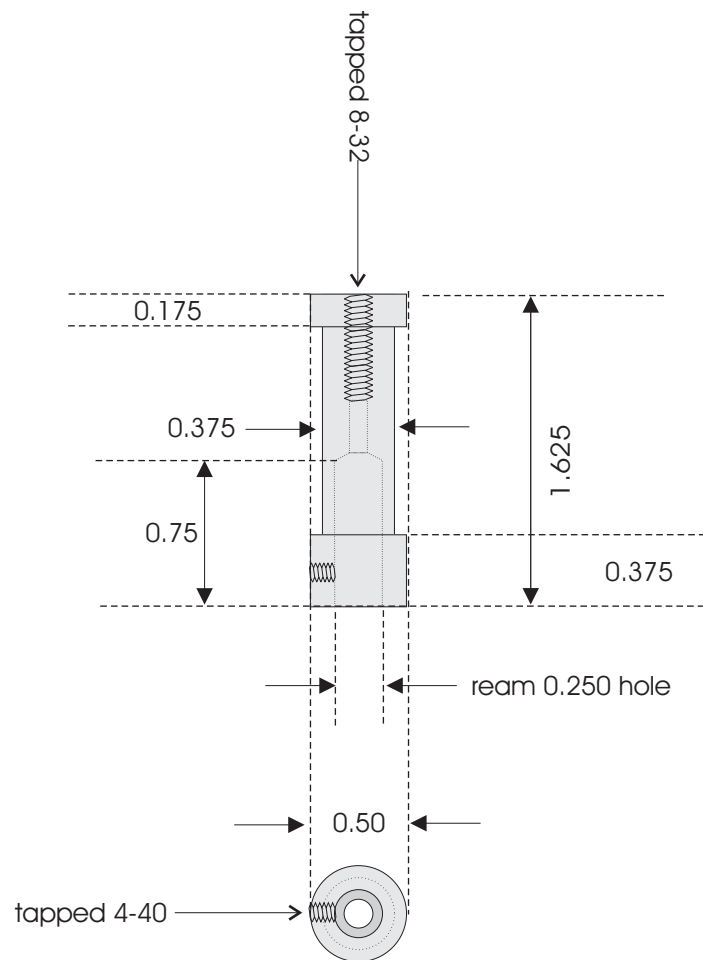


chamber leg
material: aluminum alloy
quantity 2 each



Steve Smith
Bustamante Group
phone 666-2761
steve@alice.berkeley.edu