



## FEATURES AND SPECIFICATIONS

### Features and Benefits

- Dual beam, fully enclosed box contact
- Dual tab strain relief
- Locking tang secures terminal in housing

### Reference Information

Product Specification: PS-70058  
 Packaging: Bag or chain  
 UL File No.: E29179  
 CSA File No.: LR19980  
 Mates With: 70021 male crimp terminals and 0.64mm (.025") square pins  
 Use With: All 70066 and 70450 housings  
 Designed In: Inches

### Electrical

Voltage: 250V  
 Current: 3.0A  
 Contact Resistance: 15mΩ max.  
 Insulation Resistance: 10,000 MΩ min.

### Mechanical

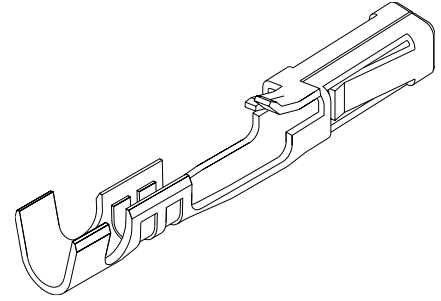
Contact Insertion Force: 0.32 lb Tin; 0.34 lb Gold  
 Contact Retention to Housing: 4 lb  
 Wire Pull-Out Force: 4 lb  
 Mating Force: 8.0 oz max. per circuit  
 Unmating Force: 1.0 oz min. per circuit  
 Normal Force: 100g min.  
 Durability: 25 cycles Tin and 50 cycles Gold

### Physical

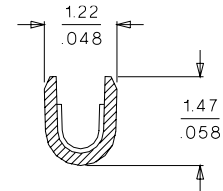
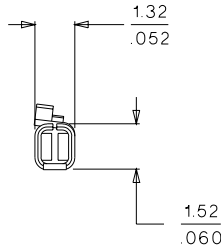
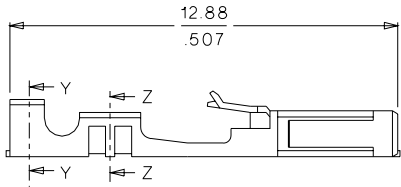
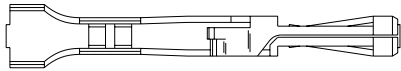
Contact: Phosphor Bronze  
 Plating: See Table  
 Temperature: -40 to +120°C  
 Wire Accommodation: 22 to 24 and 24 to 30 AWG  
 Insulation and Wire Gauge Range: See Table  
 Pin Height: 5.08mm (.200") min. (measured from top of housing/PCB to top of pin) 8.13mm (.320") max.

# molex® 2.54mm (.100") Pitch SL™ Terminal Terminal

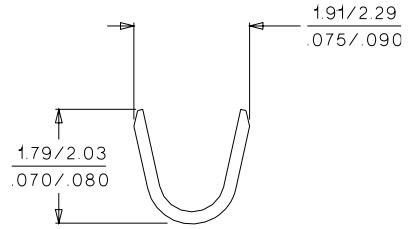
## 70058 Female Box, Crimp



**Not For Use With C-Grid III™ Components**



SECTION Z-Z



SECTION Y-Y

## ORDERING INFORMATION AND DIMENSIONS

Order No.	Plating	Wire Range (AWG) Stranded	Insulation Maximum Outside Diameter
<b>Chain Form</b>			
• 16-02-0088	1	22-24	.064
• 16-02-0083		24-30	.060
• 16-02-0087	2	22-24	.064
• 16-02-0082		24-30	.060
• 16-02-0086	3	22-24	.064
• 16-02-0069		24-30	.060

Order No.	Plating	Wire Range (AWG) Stranded	Insulation Maximum Outside Diameter
<b>Bag Form</b>			
• 16-02-0104	1	22-24	.064
• 16-02-0098		24-30	.060
• 16-02-0103	2	22-24	.064
• 16-02-0097		24-30	.060
• 16-02-0102	3	22-24	.064
• 16-02-0096		24-30	.060

• US Standard Product, available through Molex franchised distributors  
 Plating No. 1: 30µm min. Gold in select area over 50µm min. Nickel overall with 75µm Tin/Lead in select area  
 Plating No. 2: 15µm min. Gold in select area over 50µm min. Nickel overall with 75µm Tin/Lead in select area  
 Plating No. 3: 150µm Tin/Lead over 50µm Nickel overall  
 Reels contain 20,000 to 25,000 terminals