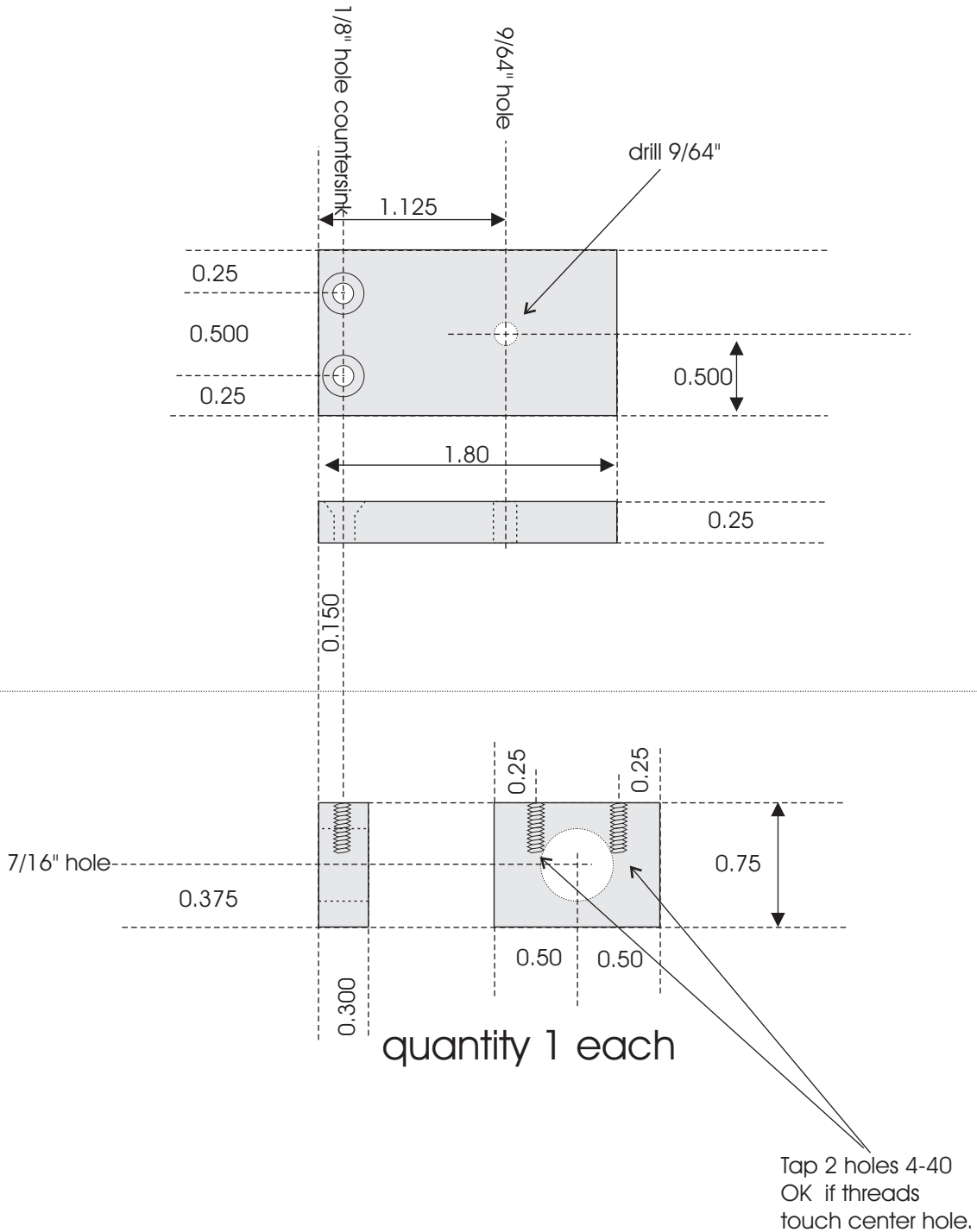


Plain beam block

material: Black Delrin Plastic

(carbon filled, not dyed, so it is opaque to infrared light)

quantity 1 each



Steve Smith
Bustamante Group
phone 666-2761
steve@alice.berkeley.edu